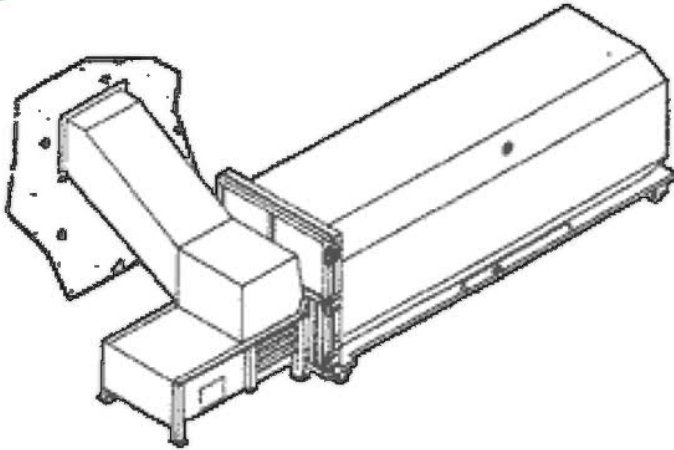
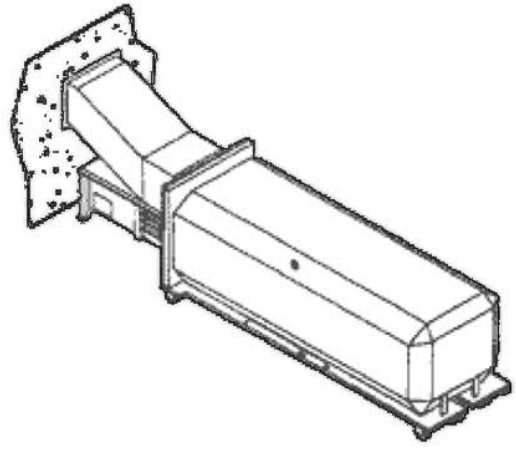




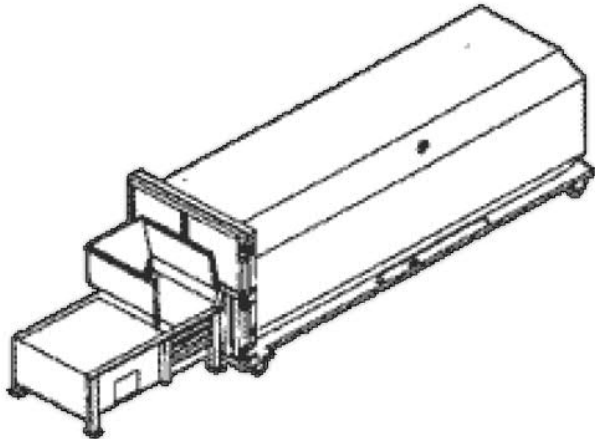
# STATIONARY COMPACTORS (STANDARD INSTALLATION)



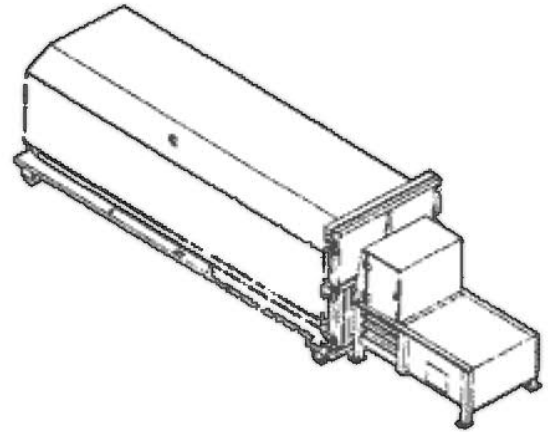
Typical side-loading security-chute  
with inside U/L



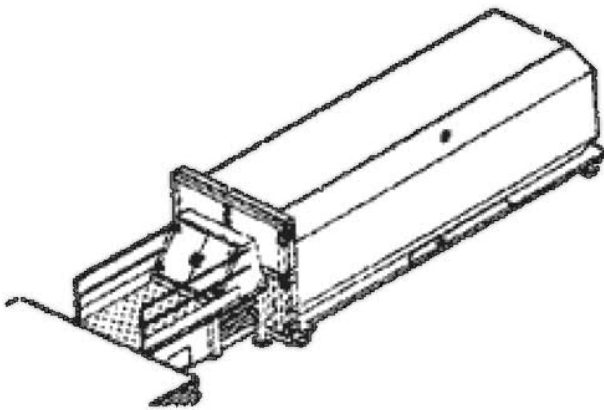
Typical rear loading security chute  
with inside U/L



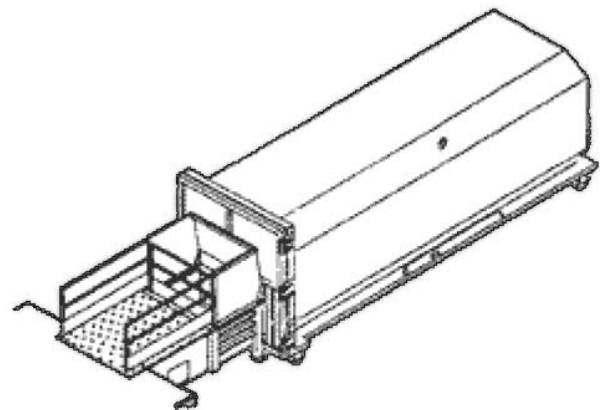
Typical ground loading open dog house



Typical ground loading 2-door  
lockable dog house



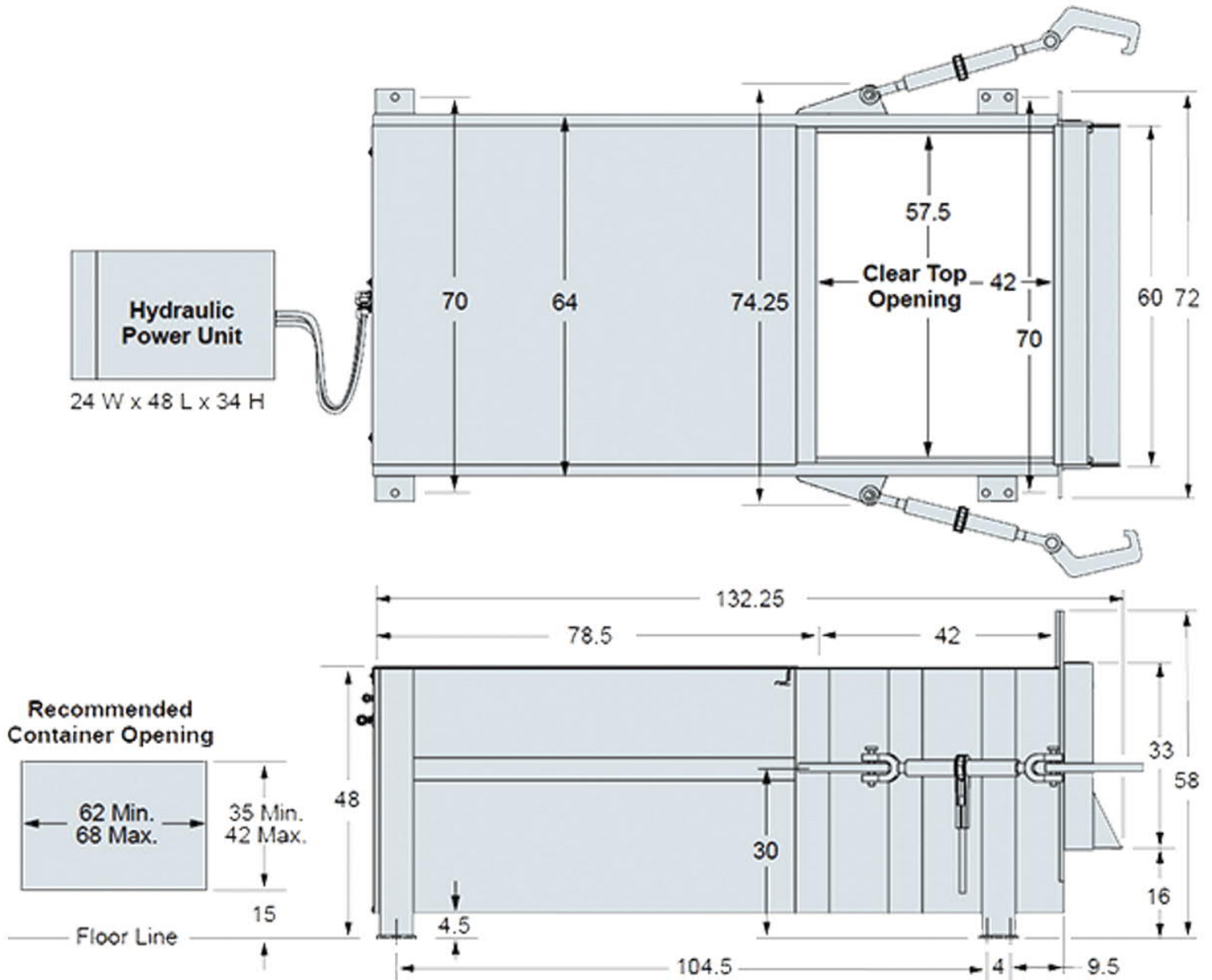
Typical dock loading bulkhead  
enclosure with safety



Typical dock loading open hopper extension with  
safety rails, gate and diamond plate decking



# STATIONARY COMPACTORS (STANDARD INSTALLATION)



*Please note: Dimensions shown are in inches are for reference purposes only. Every installation is fully customizable based upon customer needs and location set up*